



WIDTH COMPENSATION INTERFACE

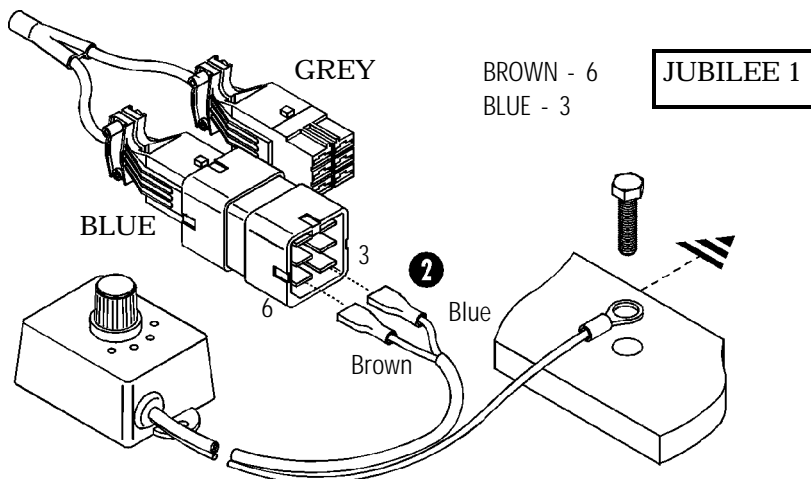
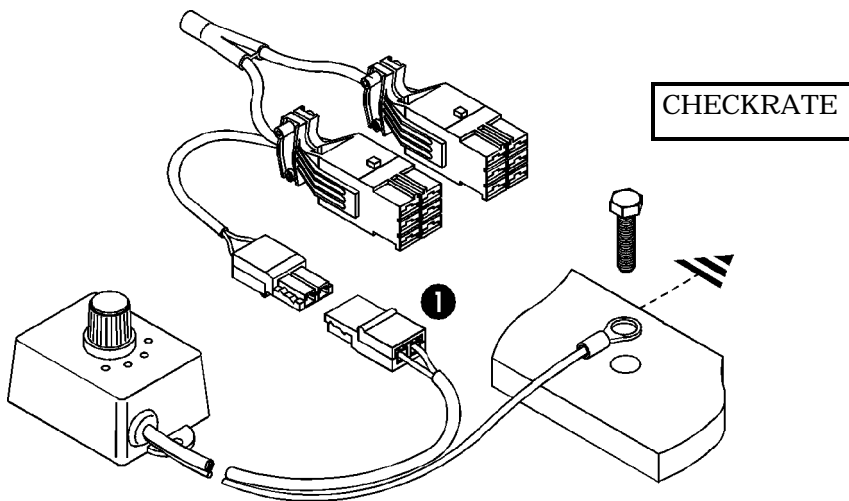
REF: S/AC/139-4-002

Application:

To ensure accurate area accumulation when using partial implement width.

CHECKRATE - using ❶ as fitted.

JUBILEE 1 REPLACE ❶ using ❷ ref: S/FIXING/079



Application:

To ensure accurate area accumulation when using partial implement width.

CHECKRATE - using ❶ as fitted.

JUBILEE 1 REPLACE ❶ using ❷ ref: S/FIXING/079

